

# Industrial black finish steel case gauges

## Model 4005

According ASME B40.1/EN 837-1  
 Nominal size 40 mm, 50 mm, 63 mm and 100 mm  
 Black sheet steel case

### Features

- Rugged construction
- Protection IP54
- Overload protection 130 %
- Dry

### Ranges

-1 ... 0 bar up to 0 ... 40 bar  
 -30 in. Hg ... 0 psi up to 0 ... 600 psi

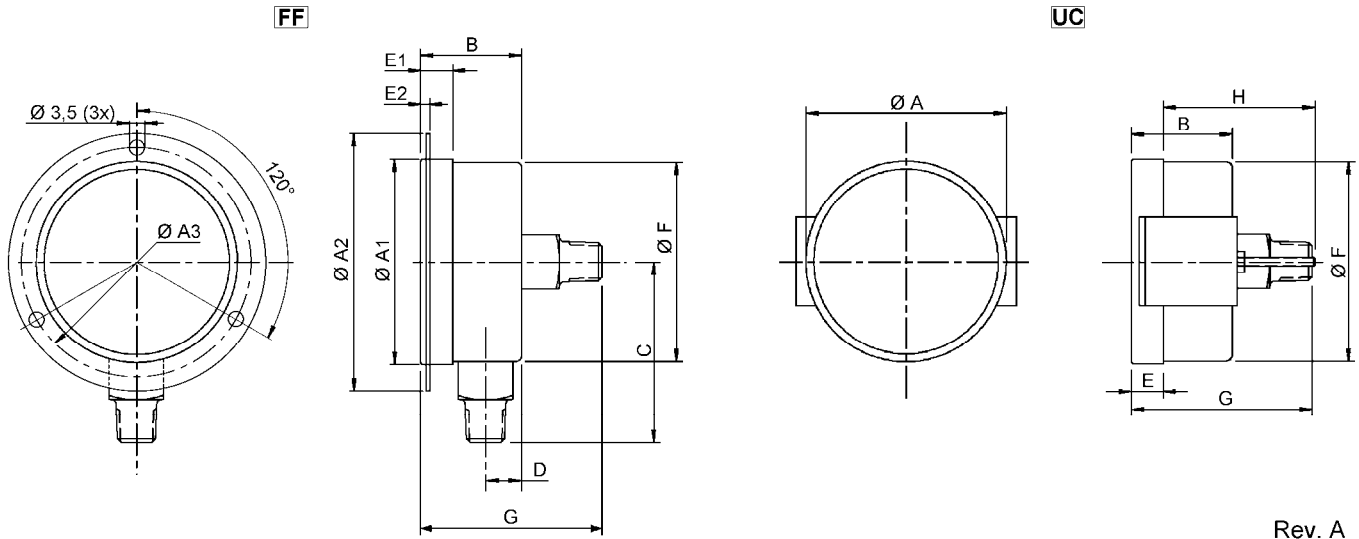
### Applications

Heating and ventilation  
 Machine and apparatus construction



Technical specification	4005			
	1 ½ 40	2 50	2 ½ 63	4 100
Dial size in inch				
Dial size in mm				
Construction	Open front with crimped ring			
Measuring principle	Bourdon tube with conventional movement			
Range in bar	1	1,6	2,5	4
	6	10	16	25
	40			
Overpressure limit	-1/0 -1/2 -1/4 -1/10 -1/20			
Pressure type	130 % F.S., short time			
Process connection	Gauge, vacuum and compound			
Process connection	1/8 NPT male, G 1/8 B male	1/8 NPT male, ¼ NPT male, G 1/8 B male, G ¼ B male		¼ NPT, ½ NPT male, G ¼ B, G ½ B male
Connection location	Lower, back			Lower
Material				
Pressure connection	Brass			
Tube	Bronze			
Case/ring	Black finished steel case			
Window	Acrylic, optional instrument glass			
Dial	Aluminum, black markings on white background			
Pointer	Aluminum, black			
Movement	Brass			
Accuracy	Grade B (3-2-3 %), optionally Grade A (2-1-2 %) according to ASME B40.1, Class 2,5 or Class 1,6 according to EN 837-1			
Permissible				
Ambient temperature	-25 ... 60 °C			
Medium temperature	Max. 100 °C			
Storage temperature	-40 ... 65 °C			
Effect	Max. 0,3 % / 10 K			
Protection according EN 60 529/IEC 529	IP54			
Mounting	Stem, optional flush			Stem
Weight dry in kg	0,1	0,2	0,25	0,4
Accessories, options	Diaphragm seals, valves			

## General dimensions in mm



Rev. A

Dial size		A1	A2	A3	B	C	D	E1		E2	F	G
mm	inch							back	lower			
40	1 ½	42	61,5	26	25	37	8	5	8	8	41	40
50	2	53	73	31	28	46	9	10		-	51	47
63	2 ½	63	87	39	29	50	11			-	62	
100	4	100	-	-	36	77	12	14	-	-	99	-

Dial size		A	B	E	F	G	H
mm	inch						
40	1 ½	45	25	5	41	41	31
50	2	56	28	4	51	46	40
63	2 ½	99	29	6	63		42

Panel mounting with U-clamp (option UC)

## Order information

Size	System material	Execution	Process connection	Connection orientation	Range	Engineering units	Filling liquid	Options
(15) 1 ½ inch 40 mm	(B) Tube bronze and socket brass	(D) Standard dry IP54	(01) 1/8 NPT male <sup>3)</sup>	(L) Lower	-1/ 0	(BAR)	(=) Standard no filling	(NH) Tagging wired
(20) 2 inch 50 mm			(02) ¼ NPT male <sup>1)</sup>	(B) Back (not for dial size 100 mm)	-1/ 2			(ON) Neutral, without logo
(25) 2 ½ inch 63 mm			(13) G ¼ B male <sup>1)</sup>		-1/ 4			(UC) U-clamp (only back connection, not for dial size 100 mm)
(40) 4 inch 100 mm			(04) ½ NPT male <sup>2)</sup>		-1/ 10			(FF) Chrome plated ring for panel mount (only back connection, not for dial size 100 mm)
			(15) G ½ B male <sup>2)</sup>		0/ 1			(CS) Dual scale
			(76) G 1/8 B male <sup>3)</sup> (with spigot, only for dial size 40 mm, 50 mm and 63 mm)		0/ 1,6			(GRA) Accuracy grade A
			(77) G 1/8 B male <sup>3)</sup> (without spigot, only for dial size 40 mm, 50 mm and 63 mm)		0/ 2,5			(GRB) Accuracy Class 2,5
					0/ 4			(GRC) Accuracy Class 1,6
					0/ 6			
					0/ 10			
					0/ 16			
					0/ 25			
					0/ 40			
						psi and others on request		

## Order example

Size	Type	System material	Execution	Process connection	Connection orientation	Range	Engineering unit	Filling liquid	Option
25	4005	B	D	02	L	0/16	BAR	=	GRA

## Ashcroft Instruments GmbH

Germany  
Max-Planck-Str. 1, D-52499 Baesweiler  
P.O. Box 11 20, D-52490 Baesweiler  
Tel.: +49 (0) 2401 808-0, Fax: +49 (0) 2401 808-125

France  
„206“ ZA du Mandinet, 1/3 Rue des Campanules  
F-77185 Lognes  
Tel.: +33 (0) 1 60 37 25 30, Fax: +33 (0) 1 60 37 25 39

Website: [www.ashcroft.eu](http://www.ashcroft.eu)

United Kingdom  
Unit 5 William James House  
Cowley Road, Cambridge CB4 0WX  
Tel.: +44 (0) 12 23 39 55 00, Fax: +44 (0) 12 23 39 55 01

e-Mail: [sales@ashcroft.com](mailto:sales@ashcroft.com)